



# MANUALLY-OPERATED 4-WAY AIR VALVES

## Rotary Valves



Rotary Valves are 4-way valves with 1/4" NPT ports. They are manually-operated 3-position closed center valves.

**Operating Pressure:** 0 to 150 psig

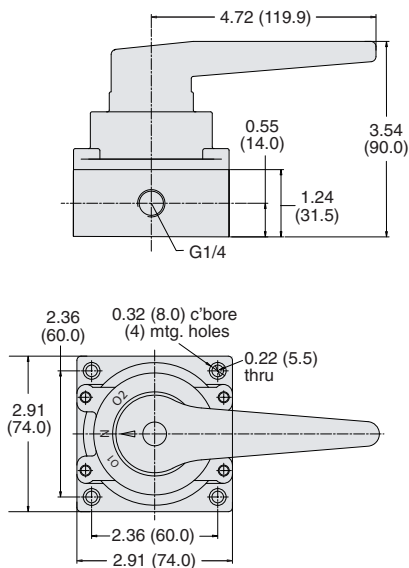
**Port Size:** 1/4" NPT

**Cv:** 1.68

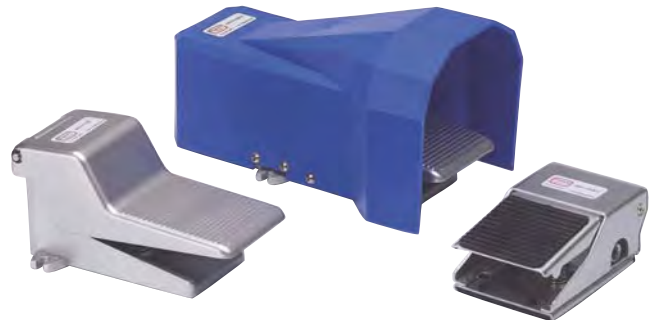
**Mounting:** Base mount

**Operating Temperature:** 32 to 140°F (0 to 60°C)

Part No.	Description
<a href="#">MMV-R4QN-C</a>	4-Way, 3-Position Non-Detented Rotary Valve
<a href="#">MMV-R4QD-C</a>	4-Way, 3-Position Detented Rotary Valve



## Foot Pedal Valves



Foot Pedal Valves are 4-way valves with 1/4" NPT ports. Two versions are offered; either a low-profile flat pedal or standard pedal with or without guard.

**Operating Pressure:** 0 to 150 psig

**Cv:** 1.4

**Ports:** 1/4" NPT

**Mounting:** Base mount

**Operating Temperature:** 32 to 140°F (0 to 60°C)

Part No.	Description
<a href="#">MMV-F4QM-F</a>	4-Way Valve with Flat Pedal
<a href="#">MMV-F4QM</a>	4-Way Valve with Standard Pedal
<a href="#">MMV-F4QM-G</a>	4-Way Valve with Plastic Foot Guard

